

## SG Die Head for Compounding

Uniform and homogeneous melt distribution



Your systems supplier for all pellet shapes

## SG-C Die Head

Uniform and homogeneous melt distribution

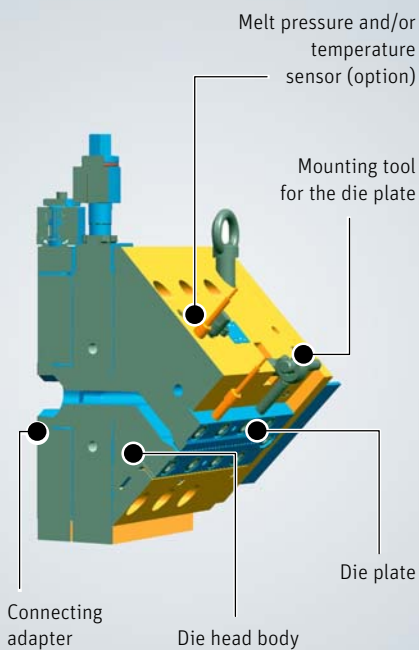
Die heads SG are utilized in the compound and masterbatch production downstream of compounding extruders.

### YOUR BENEFITS:

- Absolute uniform and homogeneous melt distribution
- No separation or de-mixing of the components
- Short dwell-time of the melt
- Minimum pressure drop
- Mounting tool for the die plate
- Simple and easy cleaning
- Short flow path of the polymer

### OPTIONS:

- Connecting adapters for all extruder types and other up-stream components (e. g. melt pump, melt filter)
- Die plate with wear protection
- Swivel joint for quick access to the extruder screws
- Adapters for melt pressure and temperature sensors
- Die scrapers for the start-up of automatic pelletizing lines (JSG)



Components of the die head SG

TECHNICAL DATA	SG 100	SG 200	SG 300	SG 400	SG 600	SG 900	SG 1200	SG 1500
Design pressure [bar]	160							
Design temperature [°C]	350							
Heating power [kW]	2	3	4.5	7.5	9	10	20	25
Number of heating zones	1	1	2	4	4	4	6	6
Type of heating	Heating rods						Heating plates	
Insulation	Mineral fiber plates attached to the surface of the die head body							



Die head SG 400 C



Die head SG 300 C in production

### Automatik Plastics Machinery GmbH

Ostring 19 · 63762 Grossostheim · Germany

T +49 6026 503 0 · F +49 6026 503 109

info@automatikgroup.com · www.automatikgroup.com

The data and illustrations in this data sheet refer to the date of printing. Automatik Plastics Machinery reserves the right to make any necessary changes at any time and without special notice. Machine designs, processes and innovations of Automatik Plastics Machinery are protected by patents.

7707EN-AHAI-AGER



Your systems supplier for all pellet shapes