



Precision gear metering pumps.
For chemical applications.

Gear metering pumps.

Volumetric metering of the highest precision.



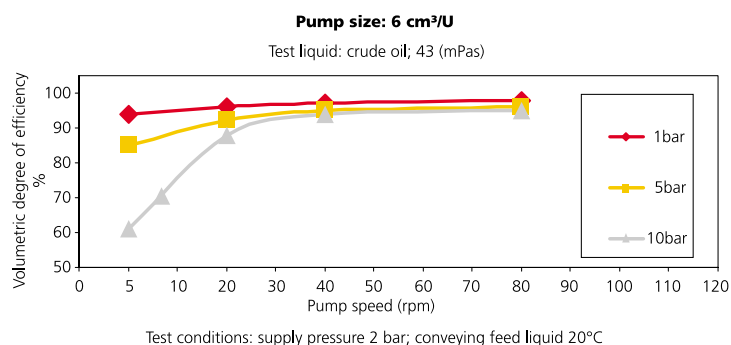
Gear metering pumps are designed as plate pumps. To this end, the gears are fitted into the center plate of the pumps with a precisely defined axial clearance. Due to their construction design, gear metering pumps achieve volumetric degrees of efficiency > 90% in this layout with – predominantly – operation point-independent characteristics. This means that the metering quantity can be accurately set using the pump speed. Metering pumps are operated at considerably lower speeds than in the case of conveying pumps, with common speeds of between 20 and 200 rpm, depending on the conveying medium.

However, accurate metering not only presupposed the fast and reproducible setting of the operating point, but also a low-pulsation feed of the conveying medium. It is obvious that gear metering pumps offer considerable advantages over other types of pumps.

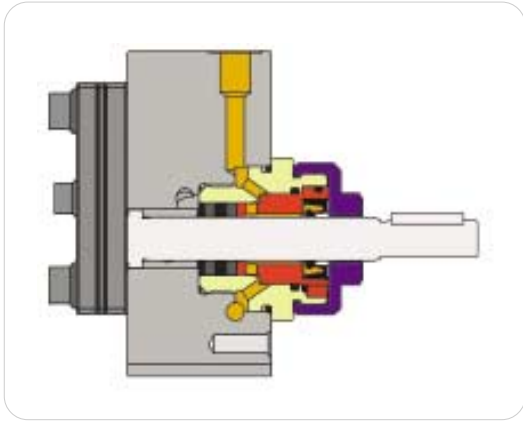
Highlights.

- Rotational direction: clockwise / anticlockwise
- Optional sealing chamber for buffer fluid, which prevents intake of air during operation
- High volumetric degree of efficiency
- Reliable conveying medium temperatures of up to 140 °C
- Electric heating possible
- Installation dimensions identical regardless of the pump size
- Modular structure, hence shorter delivery times, fast spare parts provision and fast process-specific operation adjustments possible
- Various drive shaft seal systems available
- Exchangeable seal systems

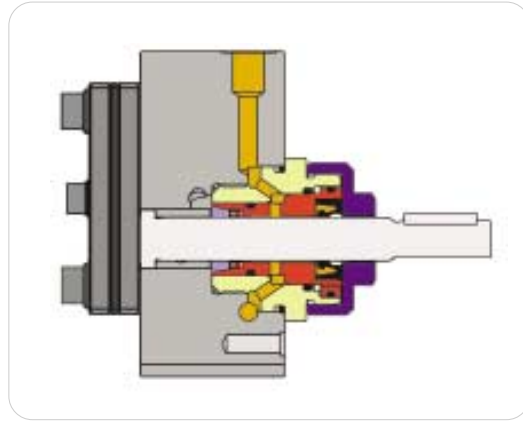
Volumetric degree of efficiency



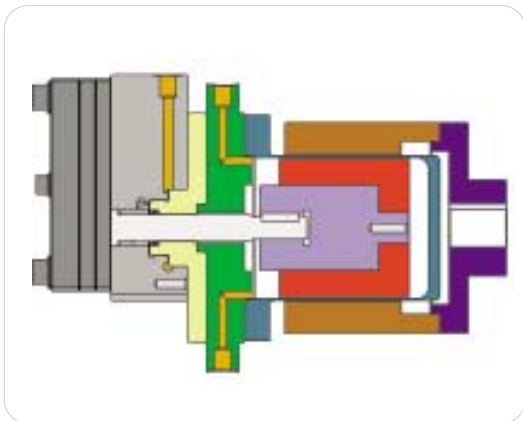
Design variants.



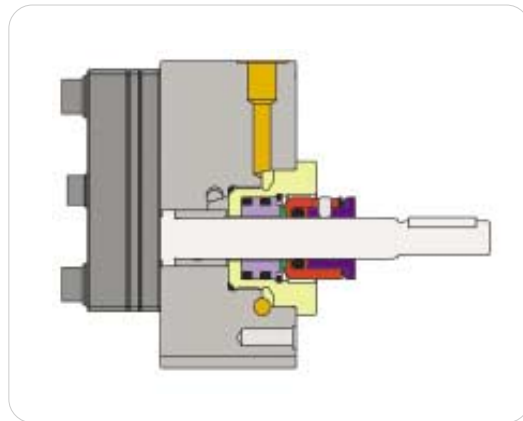
Stuffing box



Shaft seal ring



Magnetic coupling



Mechanical seal



GM pump with drive unit

Barmag

Zweigniederlassung der
Saurer GmbH & Co. KG
P.O. Box 11 02 40
42862 Remscheid
GERMANY
Phone +49 21 91 67-0
Fax +49 21 91 67-12 04
www.barmag.com
info@barmag.de

Saurer Inc.**American Barmag Corp.**

8801 South Boulevard
P.O. Box 70 46
Charlotte N.C. 28241
U.S.A.
Phone +1 704 588 0072
Fax +1 704 588 2047
www.americanbarmag.com
general@americanbarmag.com

Barmag Far East Ltd.

Units 3806B-3807
38/F, Wu Chung House
213, Queen's Road East
Wanchai, HONG KONG
P.R.CHINA
Phone +852 2827 4314
Fax +852 2827 5250
barmaghk@netvigator.com

Barmag do Brasil Ltda.

Caixa Postal 355
Av. São Borja No. 2266
93032-000 São Leopoldo/RS
BRAZIL
Phone +55 51 588 1500
Fax +55 51 588 1363
barmag@barmag.com.br

Barmag India Pvt. Ltd.

306-309, Dalamal Tower
Nariman Point,
Bombay 400 021
INDIA
Phone +91 22 2285 0813
Fax +91 22 2204 4322
bilind@bom2.vsnl.net.in

**The information supplied
in this brochure is for
guidance only. We reserve
the right to modify it at
any time.**

PU 102e / 11-3
Studio 45 / Koch
Subject to changes